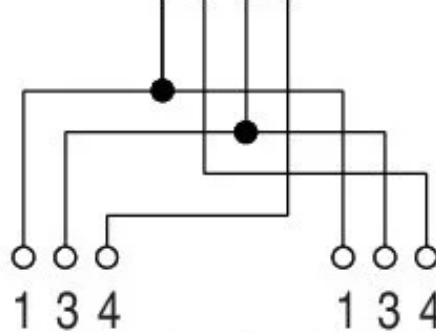


male connector

+
1 2 3 4
-
1 2 3 4



female connector A female connect